

# Electrolux

## SPARE PARTS LIST

Fridge-freezers, CKD-products  
3795

Item	PNC	ELC	Brand	Model	Market
A	925060130	04	Electrolux	ETB2600MG XSG	SGE

### **SAFETY WARNING**

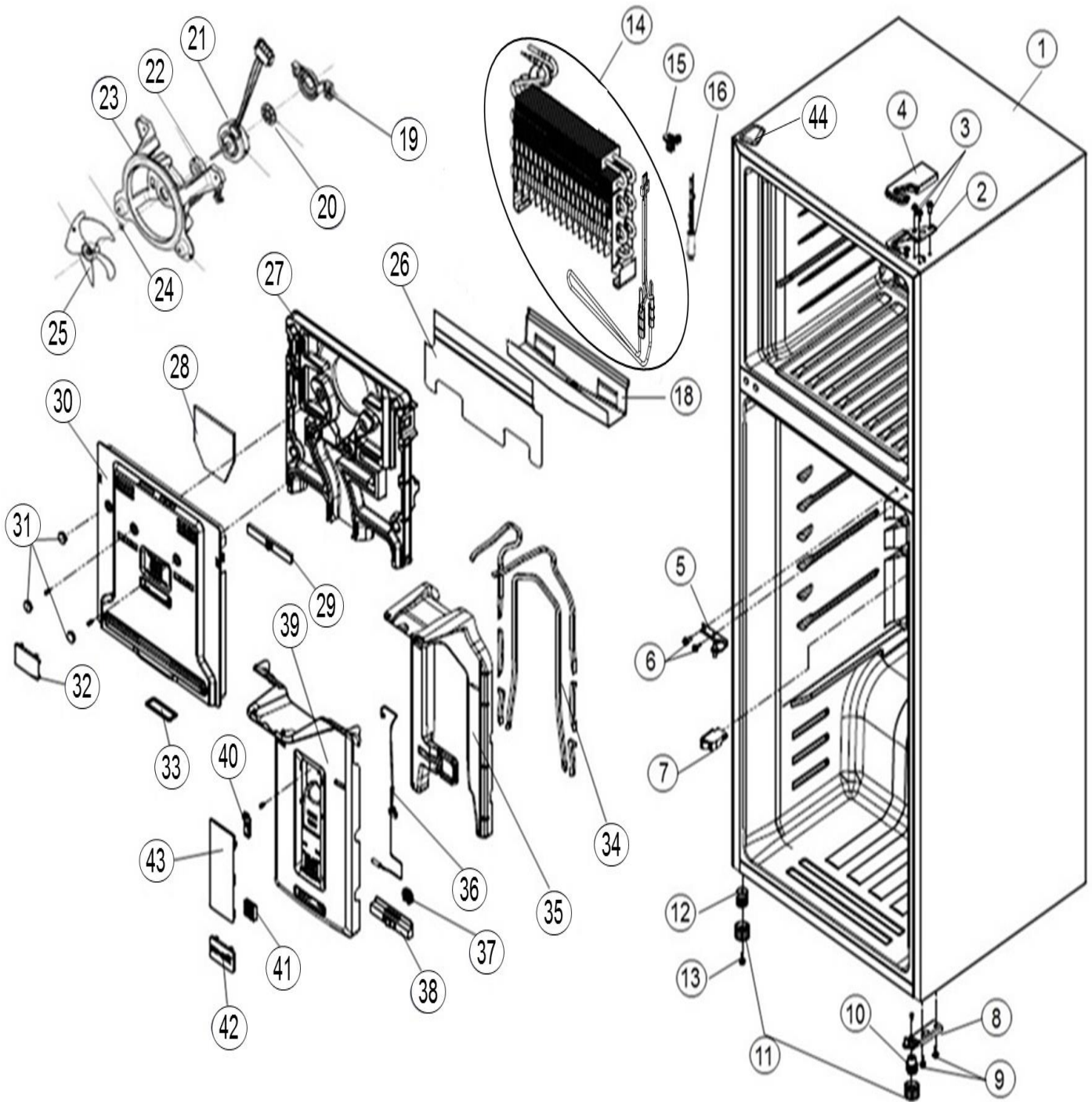
**Always turn off and unplug the machine before detaching any parts.**

When servicing machines, do not remove ANY detachable parts while the machine is powered. The reason is internal faults may cause shorts to components that are normally at low voltage presenting a shock hazard.

	Fridge-freezers, CKD-products
<p>Electrolux Thailand Co.,Ltd. 1910 Electrolux Building New Petchburi Rd. Bangkok Huaykwang Bangkok , 10310 Tel : +662 725 9000</p>	<p>Publication-No. 170908</p>

Model :ETB2600MG

# Ex. View Drawing Cabinet Assembly

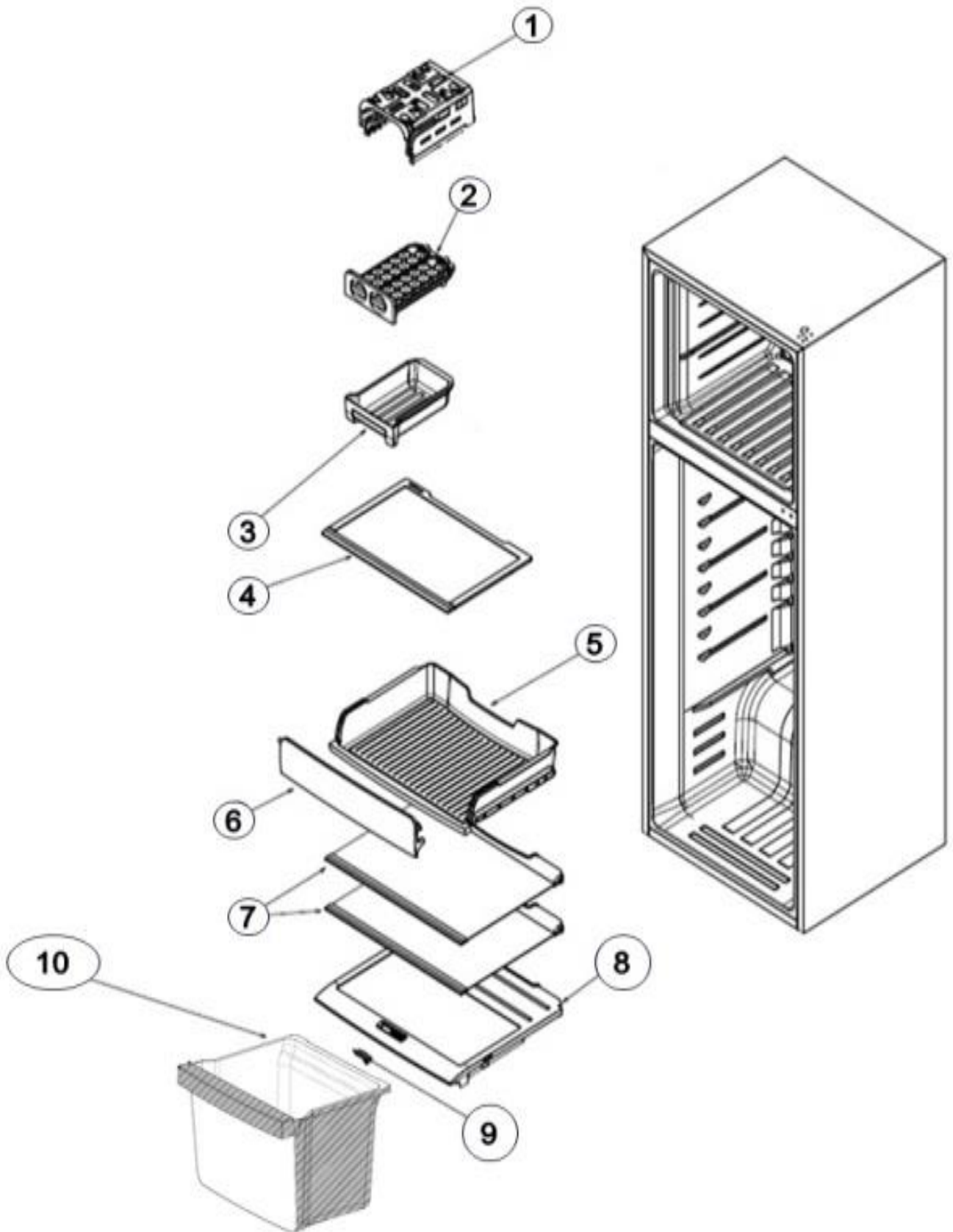


<b>Pos.</b>	<b>Part No.</b>	<b>Description</b>	<b>ETB2600MG XSG PNC 925060130 04</b>
1	811992229	CABINET FOAMED TF260 B+ GRMY	1
2	811999401	HINGE TOP RIGHT	1
3	811949401	SCREW TRILOB M5X16	3
4	811998801	HINGE TOP COVER RIGHT GR	1
5	811999201	HINGE CENTRE RIGHT	1
6	811949401	SCREW TRILOB M5X16	2
7	811943601	SWITCH DOOR	1
8	811999101	HINGE BOTTOM BASE RIGHT	1
9	811949401	SCREW TRILOB M5X16	2
10	811996202	FEET BASE HINGE	1
11	811998902	FEET LEVER	2
12	811999002	FEET BASE	1
13	811949401	SCREW TRILOB M5X16	1
14	A02927901	EVAPORATOR ASSY 7 PASSES 4.9 S	1
15	811980401	CLAMP NTC EVAPORATOR	1
16	A05206002	HARNESS-ASSY SUB SENSOR BF	1
18	811981403	SUPPORT HEATER TF R600A	1
19	A02164801	RETAINER CLIP	1
20	1446048	GROMMET, FAN MOUNTING	1
21	809069203	MOTOR FAN PANASONIC DC 3W	1
22	A02113401	GROMMET FAN PANA DC FAN	1
23	811974401	SHROUD FAN	1
24	1451297	WASHER SLINGER NYLON	1
25	811699602	BLADE FAN,NAT	1

<b>Pos.</b>	<b>Part No.</b>	<b>Description</b>	<b>ETB2600MG XSG PNC 925060130 04</b>
26	811949901	TAPE ALUMINUM EVC REAR	1
27	811974601	DUCT EVAPORATOR REAR TF	1
28	807305102	TAPE COVER EVAPORATOR	1
29	811974502	BAFFLE SLIDE FZR TF CLOSED	1
30	A04363001	COVER EVAPORATOR FRONT TF SCR	1
31	811971601	COVER SCREW	3
32	811930406	COVER DEODORIZER BLUE NF	1
33	811950002	SEAL FOAM EVC SEALER	1
34	811950601	SEAL FOAM 6X8	1
35	811973901	DUCT MULTIFLOW TF LARGE	1
36	A05257501	HARNESS MFLOW TF BASIC LED A	1
37	811968901	GEAR CONTROL TEMP	1
38	811969001	SLIDE CONTROL TEMP	1
39	811974101	COVER MULTIFLOW FRONT BAS TF L	1
40	A00369113	PCBA AUX LIGHTING 3LED HSLB	1
41	811930303	DEODORIZER NANO COPPER	1
42	811930407	COVER DEODORIZER BLUE FT	1
43	811971503	LENS MULTIFLOW TF	1
44	811996401	COVER TOP CABINET WH GR	1

Model:ETB2600MG

Ex. View Drawing  
Interior assembly

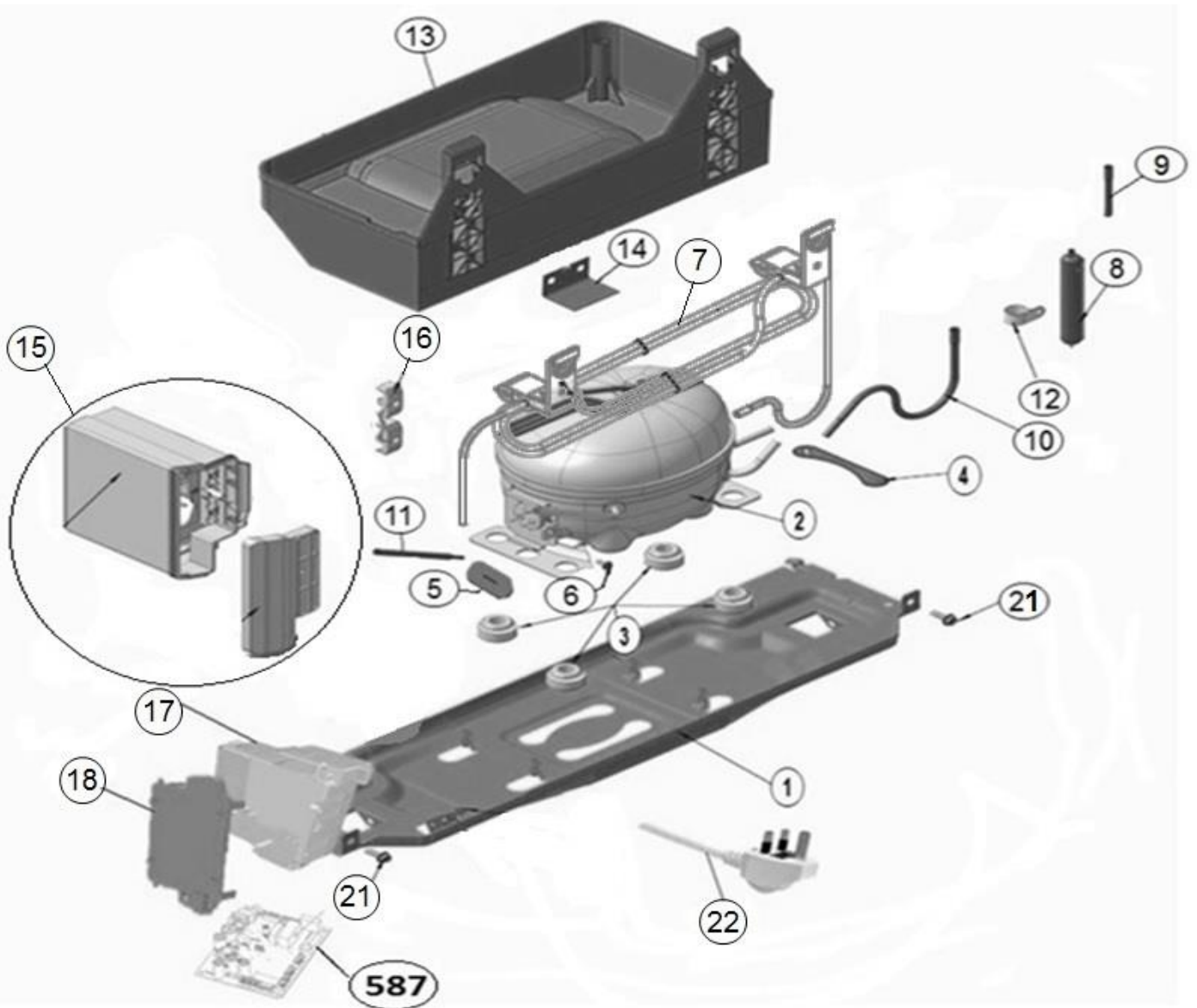


ETB2600MG XSG  
PNC 925060130 04

<b>Pos.</b>	<b>Part No.</b>	<b>Description</b>	
1	811957001	SUPPORT ICE T&S	1
2	811956701	T&S ASSY WHITE	1
3	811956601	BIN ICE PACIFIC CLEAR	1
4	811958001	SHELF FZR 54W	1
5	811958301	TRAY CHILL ROOM 54W	1
6	811958401	LID CHILL ROOM 54W SCR	1
7	A02623003	GLASS SHELF ASSY 54W	2
8	A04365501	COVER CRISPER 54W SCR	1
9	811959201	KNOB HUMIDIFIER	1
10	A02530303	CRISPER BIN TF54W SINGLE PIECE	1

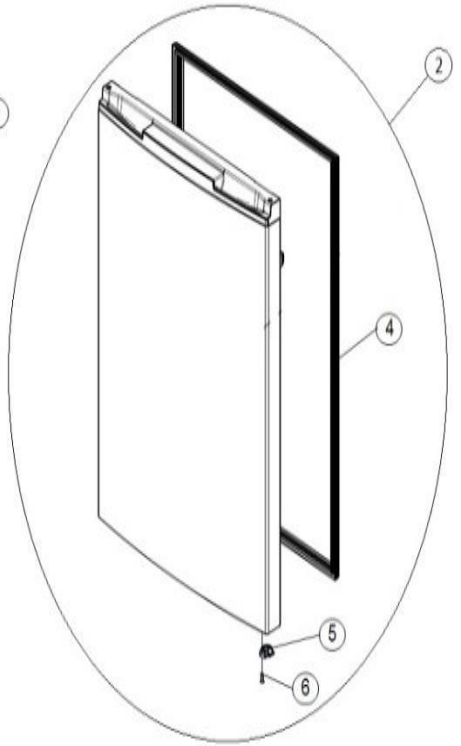
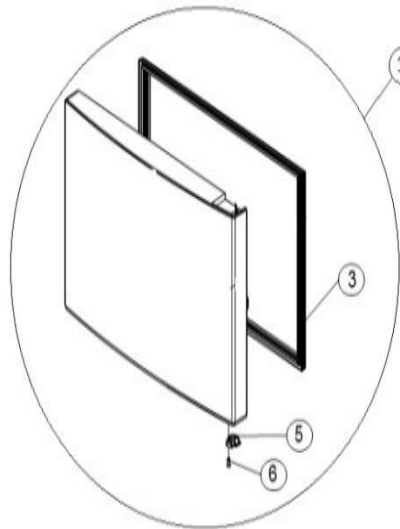
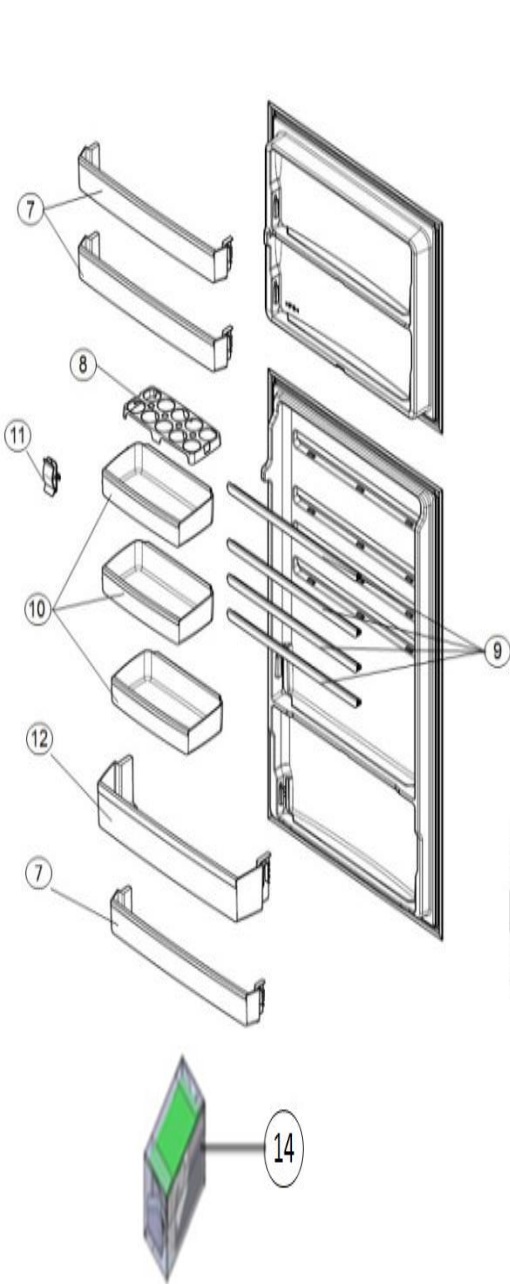
Model : ETB2600MG

# Ex. View Drawing Compressor Assembly











Pos.	Part No.	Description	ETB2600MG XSG PNC 925060130 04
1	811998501	BASE COMPRESSOR 54W	1
2	A04332401	COMPRESSOR VTH1111Y	1
3	811978901	GROMMET COMPRESSOR	4
4	811998601	CLAMP COMPRESSOR	1
5	A04326602	CLAMP COMPRESSOR SINGLE	1
6	A01075101	SCREW TAPPING M4X0.7X10	1
7	A03561504	TUBE PAN UNIVERSAL TF ASSY	1
8	1441189	DRYER	1
9	808293603	TUBE PROCESS 100MM	1
10	A03331501	TUBE SUCTION EXTENSION JIAXIPE	1
11	A03885402	TUBE EXTRA	1
12	811978201	CLAMP DRYER	1
13	A03365701	PAN DRAIN UNIVERSAL	1
14	A03592401	BRACKET L SUPPORT UPAN	1
15	A05850007	PCBA FLEX DRIVE 2.2	1
16	808364908	CABLE CLAMP FLEX DRIVE	1
587	973925060130045	<a href="#">Config Software: PCBA_P_ERF1600 FCT FOR PNC 925060130 ELC03</a>	1
587	A01860307		1
17	A03547501	<a href="#">Non Config Software: PCBA ERF1600 TF/BF LUX 6W</a>	1
18	A03547601	HOUSING BOX PCB	1
21	811949401	COVER BOX PCB	2
		SCREW TRILOB M5X16	





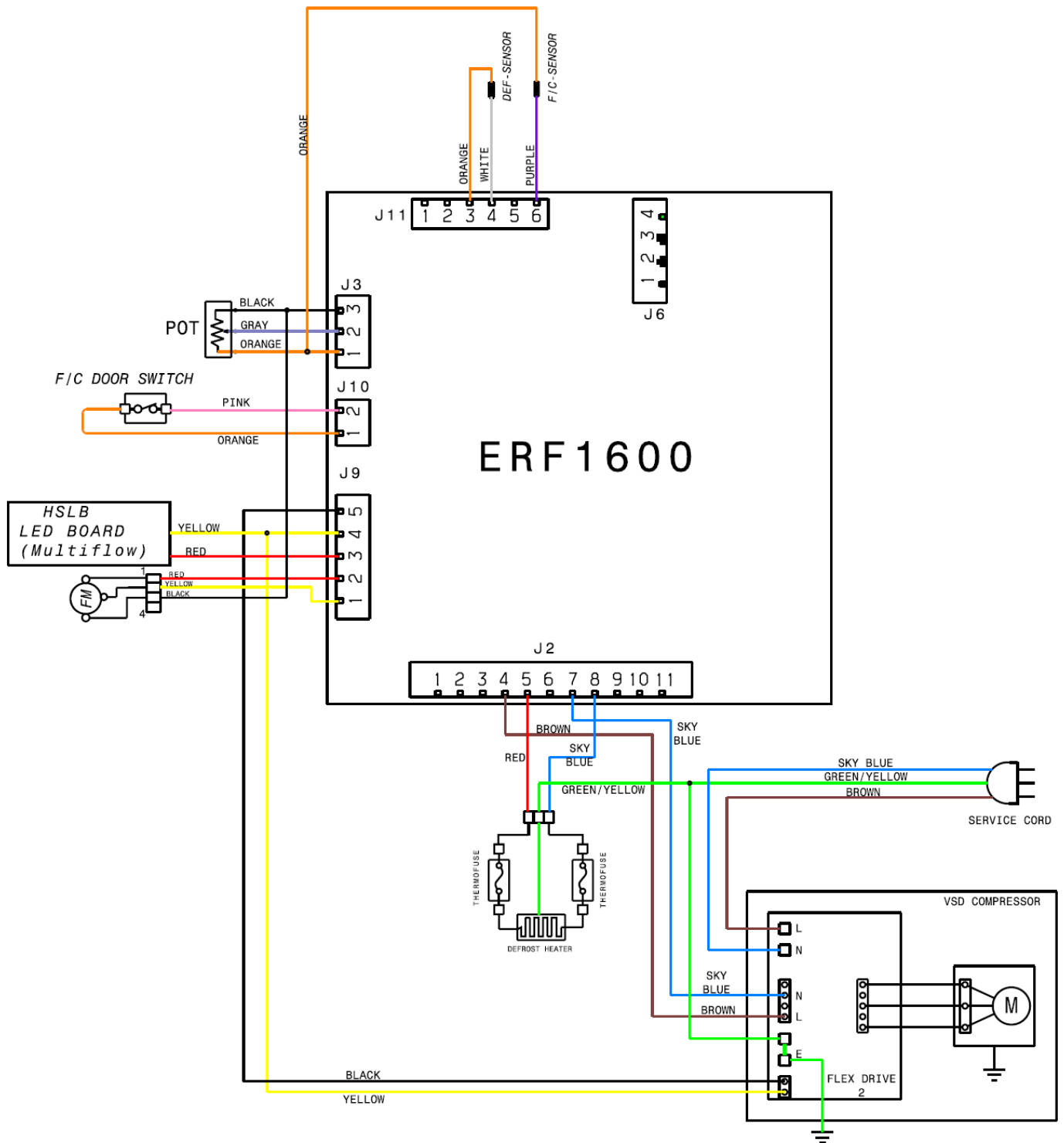
1 KIT CONTENTS

DESCRIPTION	QTY
 Cover top cabinet wh GR	1
 Cover top cabinet wh WHT	1
 Hinge top cover left GR	1
 Hinge top cover left WHT	1
 Hinge top left	1
 Hinge centre left	1
 Hinge bottom base left	1
 Door auto closer LH	2

NOTE: Keep kit parts separate from other parts as you disassemble them to avoid mix-ups.

ETB2600MG XSG  
PNC 925060130 04

<b>Pos.</b>	<b>Part No.</b>	<b>Description</b>	
1	A05354401	DOOR SPARE FZR TF 54W RF SL	1
2	A05354404	DOOR SPARE FC TF 260 RF SL	1
3	811988501	GASKET FZR TF54W	1
4	811988507	GASKET FC TF260L	1
5	811988701	BEARING AUTO CLOSER R	2
6	811948801	SCREW COUNTERSUNK M4.8X19	2
7	A02348103	BIN DOOR SHALLOW 54W EL	3
8	811961303	TRAY EGG-8	1
9	811986801	RAIL DOOR SUPPORT 54W WHT	4
10	A06831702	BIN DOOR FLEX 1/2 EL PACKING	3
11	811960601	CLIP BAG DOOR	1
12	A02348003	BIN DOOR BOTTLE 54W EL	1
14	807558001	DOOR CONVERSTION KIT WH	1



**SAFETY WARNING**

**Always turn off and unplug the machine before detaching any parts.**

When servicing machines, do not remove ANY detachable parts while the machine is powered. The reason is internal faults may cause shorts to components that are normally at low voltage presenting a shock hazard.